

CATEGORY	DESCRIPTION	P/N #
CONNECTOR	Wafer Wire 90° Type	WB006R-04060-XX70

△ A02 料號由WB006R-04060-0970
變更為WB006R-04060-XX70

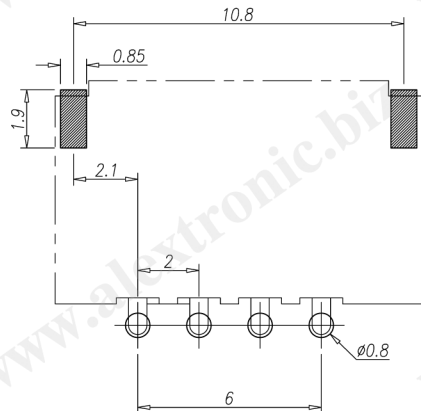
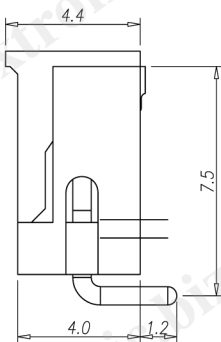
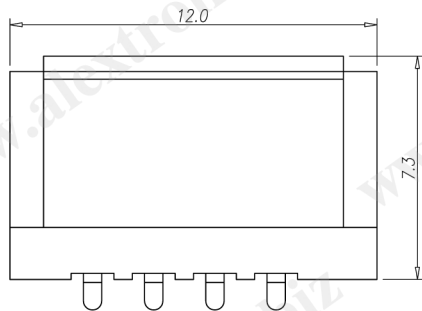
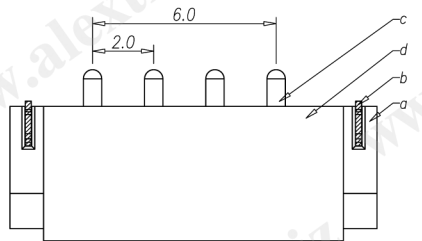
WB006R-04060-XX70

See Color Scheme

REV.	ECN NO	DESCRIPTION	REVISED	DATE
A01		New Release	Luguan	2009.07.13
A02	ECN090728001	新增Housing&Cover顏色,變更料號	Luguan	2009.07.28

SPECIFICATION

- CURRENT RATING : 3 Amp MAX.
- WITHSTANDING VOLTAGE : AC 800V MIN.
- INSULATION RESISTANCE : 1000MQ MIN.
- OPERATING TEMPERATURE : -40° C TO +105° C



Recommend PCB Layout
(Jack Top View)
Tolerance: ±0.05mm

Color Scheme

XX	Housing	Cover
00	Black	Black
09	White	White

△ A02

Product Drawing ALEXTRONIC

NO.	PART NAME	Q'TY	MATERIAL	PLATING & COLOR	Remark
d	Cover	1	PA UL94V-0	See Color Scheme	
c	Terminal	4	Brass, T=0.2mm	Matte Tin Plating	
b	Solder	2	Phosphor Bronze, $\phi=0.6\text{mm}$	Matte Tin Plating	
a	Housing	1	PA UL94V-0	See Color Scheme	

UNLESS OTHERWISE
SPECIFIED TOLERANCES

DECIMALS:	ANGLES:
X : ±0.5	X : ±2°
X.X : ±0.3	X.X : ±1°
X.XX : ±0.2	

SCALE: free UNIT: mm DWG.NO: WI-061-490

SIZE: A3 PAGE: 1 OF 1 REV: A02

APPROVED BY	CHECKED BY	PREPARED BY
WYX	Pengjie	Luguan

CUSTOMER COPY