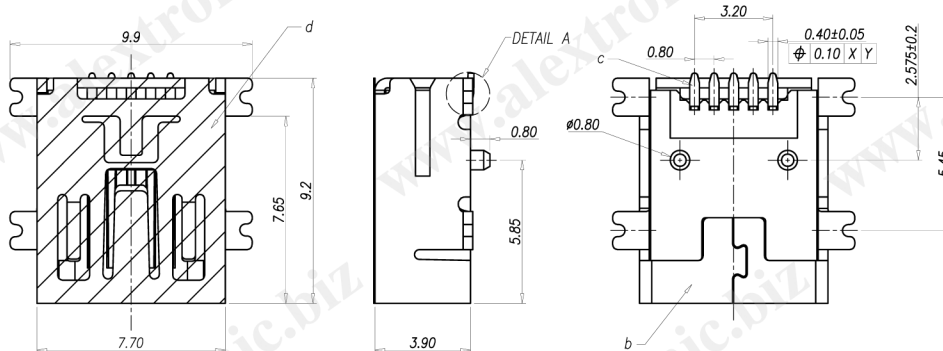
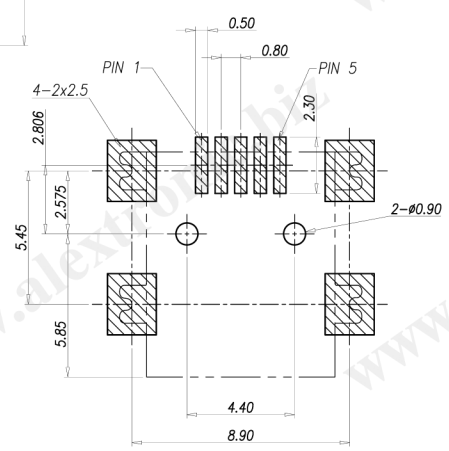
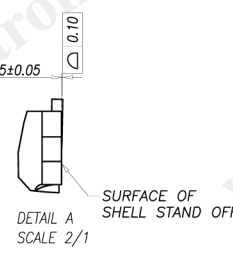
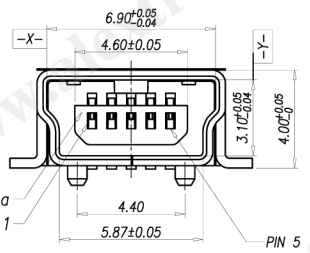


CATEGORY	DESCRIPTION	P/N #
CONNECTOR	MINI USB, 5PIN, B TYPE, SMT	UB3553-11FX0-0020

REV.	ECN NO	DESCRIPTION	REVISED	DATE
A01		New Release	Luguan	2008.08.20



- SPECIFICATIONS:**
- VOLTAGE & CURRENT RATING: AC 5V & 1A.
 - DIELECTRIC WITHSTANDING VOLTAGE: AC 100V FOR 1 MINUTE.
 - INSULATION RESISTANCE: 100 MΩ MIN. AT DC 500V.
 - CONTACT RESISTANCE: 50 mΩ MAX.
 - CONTACT INSERTION FORCE: 35N MAX.
 - CONTACT WITHDRAWAL FORCE: 3N MIN.
 - TEMPERATURE: -20°C TO +85°C.



Recommend PCB Layout
(Jack Top View)
Tolerance: ±0.05mm

UB3553-11FX0-0020

Material & Plating

X	Terminal Plating
1	Gold Flash Plating
3	Au 3u" Plating
7	Au 15u" Plating

d	Mylar	1	PET UL94V-0	Transparent	
c	Contact	4	Phosphor Bronze, T=0.25mm	See Table 1	
b	Shell	1	Brass, T=0.4mm	Ni Plating	
a	Housing	1	LCP UL94V-0	Black	
NO.	PART NAME	Q'TY	MATERIAL	PLATING & COLOR	Remark
		4			

UNLESS OTHERWISE SPECIFIED TOLERANCES		SCALE: 1/1	UNIT: mm	DWG. NO:	
		SIZE: A3	PAGE: 1 OF 1	REV: A01	WI-061-610
DECIMALS:		APPROVED BY		CHECKED BY	
X	: ±0.5	WYX		Pengjie	
X.X	: ±0.3			Luguan	
X.XX	: ±0.2				
				PREPARED BY	
				CUSTOMER COPY	