

CATEGORY	DESCRIPTION	P/N #
CONNECTOR	USB R/A,T/H, 轉插	UB1041-11F10-XXC1

REV.	ECN NO	DESCRIPTION	REVISED	DATE
A01		New Release	GMC	2009.11.20

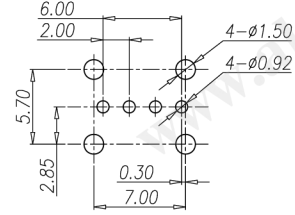
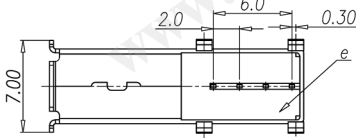
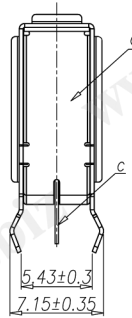
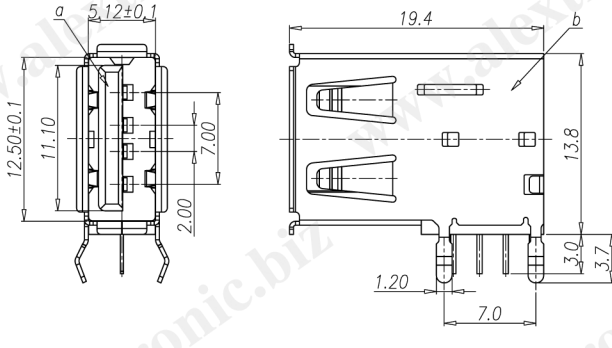
Specifications:

1. Rated Current: 1.5A @ 250V AC
2. Contact resistance: 30mΩ MAX.
3. Insulation resistance: 1000MΩ MIN.
4. Dielectric withstand: 500V AC for 1 minute
5. Operating temperature: -55° C~+85° C
6. Insert force: 35N MAX.
7. Withdraw force: 10N MIN.

Part No.:

UB1041-11F10-XXC1

表示帶H-Cover
Color Scheme



Recommend PCB Layout

(Jack TOP View)

Tolerance: ±0.05mm

Recommend PCB Thickness: 1.6mm

Color Scheme

XX	Housing	H-Cover
00	Black	Black
01	White	White

Product Drawing
ALEXTRONIC

e	H-Cover	1	PBT UL94V-0	See Color Scheme	
d	Cover	1	SPCC, T=0.3mm	Ni Plating	
c	Terminal	4	Copper Alloy, T=0.25mm	Au Plating	
b	Shell	1	Copper Alloy, T=0.30mm	Ni Plating	
a	Housing	1	PBT UL94V-0	See Color Scheme	
NO.	PART NAME	Q'TY	MATERIAL	PLATING & COLOR	Remark

UNLESS OTHERWISE SPECIFIED TOLERANCES	SCALE:1/1	UNIT: mm	DWG.NO: WI-061-764	
	SIZE: A3	PAGE:1 OF 1		REV:A01
DECIMALS: X : ±0.5 X.X : ±0.3 X.XX : ±0.2	ANGLES: X : ±2° X.X : ±1°	APPROVED BY	CHECKED BY	PREPARED BY
		WYX	Pengjie	GMC
CUSTOMER COPY				