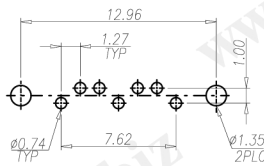
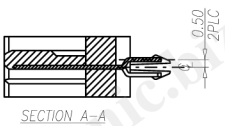
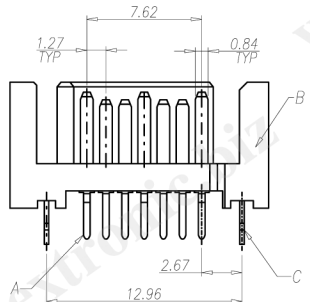
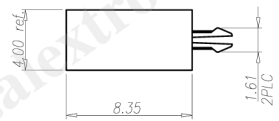
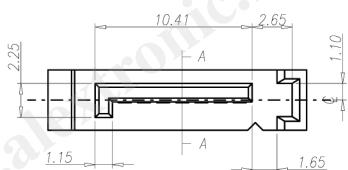
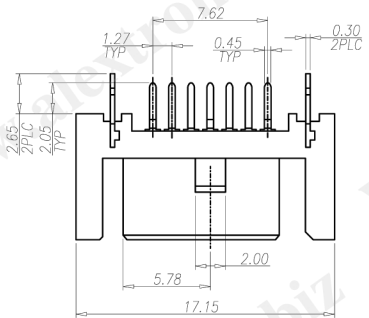


CATEGORY	DESCRIPTION	P/N #
CONNECTOR	SATA 7P A型180度DIP双导槽鱼叉PIN长2.05	2SA07V-01ML2-03

REV.	ECN NO	DESCRIPTION	REVISED	DATE
A1		NEW VIEW	QJF	2008.06.16



PCB LAYOUT  
PCB TOLERANCE:±0.05

NOTES:  
1.MATERIAL:  
HOUSING:LCP UL94V-0  
COLOR:BLACK  
CONTACT: BRASS T=0.25mm  
PEG: BRASS T=0.30mm  
2.FINISH:  
CONTACT:GOLD FALSH/TIN PLATING ON CONTACT AREA  
100u"MIN. TIN PLATING ON SOLDERTAILS  
50u"MIN.NICKEL UNDERPLATING OVER ALL  
PEG:100u"MIN. TIN PLATING ON SOLDERTAILS  
50u"MIN.NICKEL UNDERPLATING OVER ALL  
UNSPECIFIED TOLERANCE SEE DRAW A RFAME ROUND.

C	PEG	2	BRASS T=0.3mm	TIN PLATING	
B	HOUSING	1	LCP UL94V-0	BLACK	
A	CONTACT	7	BRASS T=0.25mm	AU PLATING	
NO.	PART NAME	QTY	MATERIAL	PLATING & COLOR	Remark

Product Drawing  
TERAPRO Technology Co., LTD.

UNLESS OTHERWISE SPECIFIED TOLERANCES		SCALE:1/1	UNIT: mm	① ②	DWG.NO:
DECIMALS: X :±0.5 X.X :±0.3 X.XX :±0.2		SIZE: A3	PAGE:1 OF 1	REV:	
ANGLES: X :±2° X.X :±1°		APPROVED BY	GG	CHECKED BY	WYX
		PREPARED BY		QJF	
CUSTOMER COPY					