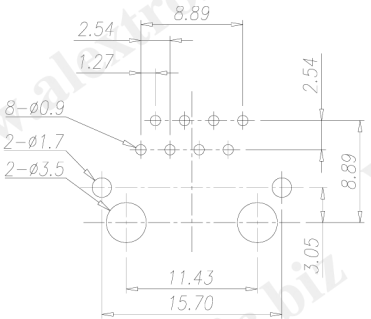
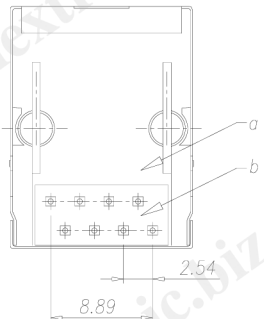
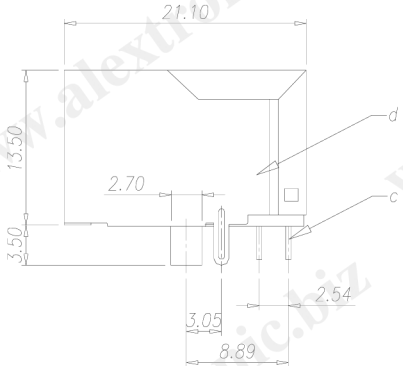
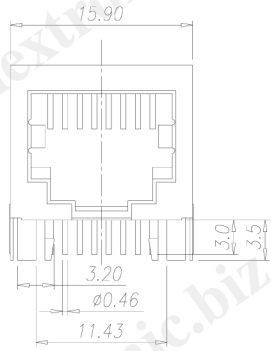


CATEGORY	DESCRIPTION	P/N #
CONNECTOR	Modular Jack, 1*1 Port, 8P8C, With Shielding	MJ880R-11110-002N

REV.	ECN NO	DESCRIPTION	REVISED	DATE
R01		New Release	JXM	2009.04.25



Recommend PCB Layout  
(Jack Top View)  
Tolerance: 0.05mm  
Recommend PCB Thickness: 1.6mm

SPECIFICATIONS:  
1. RJ ELECTRICAL CHARACTERISTICS  
1-1: VOLTAGE: 150V AC RMS  
1-2: CURRENT RATING: 1.5A  
1-3: CONTACT RESISTANCE: 30mΩ MAX.  
1-4: INSULATION RESISTANCE: 500MΩ MIN.  
1-5: DIELECTRIC WITHSTAND VOLTAGE: 1000V AC  
1-6: OPERATION TEMPERATURE: -40°C~80°C  
1-7: DURABILITY: 500 MATING CYCLES MIN.

NO.	PART NAME	QTY	MATERIAL	PLATING & COLOR	Remark
d	Shell	1	Brass	Ni Plating	
c	Terminal	8	Phosphor Bronze	Au Plating	
b	Cover	1	PBT UL94V-0	Black	
a	Housing	1	PA46 UL94V-0	Black	

UNLESS OTHERWISE SPECIFIED TOLERANCES  
DECIMALS: X :±0.5 X.X :±2' X.XX :±0.3 X.XX :±1' X.XX :±0.2

**Product Drawing**  
**ALEXTRONIC**

SCALE: 1/1 UNIT: mm	⊕ ⊖	DWG.NO:
SIZE: A3 PAGE: 1 OF 1	<b>REV: R01</b>	
APPROVED BY	CHECKED BY	PREPARED BY
WYX	Pengjie	JXM
<b>CUSTOMER COPY</b>		