

CATEGORY	DESCRIPTION	P/N #
CONNECTOR	1.27mm (.050") Ribbon Series Receptacles Headers Right-Angle Mount Type	2MCXXR-FL1XX-XX

2MCXXR-FL1XX-XX

COLOR SCHEME  
 THREADED FINISHES:  
 1=UNC #2-56  
 2=UNC #4-40  
 3=M2.6  
 4=NON SCREW

Material & Plating

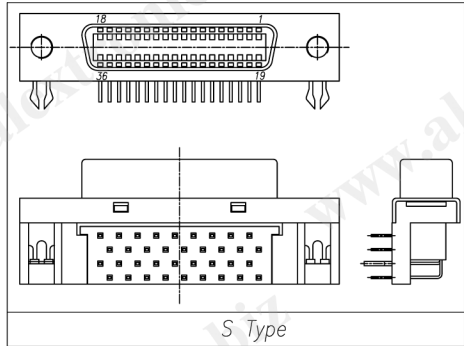
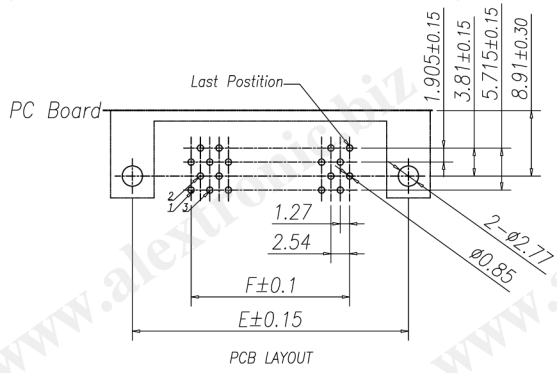
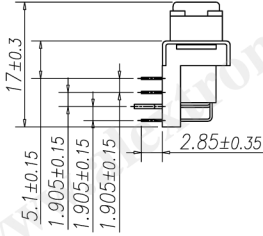
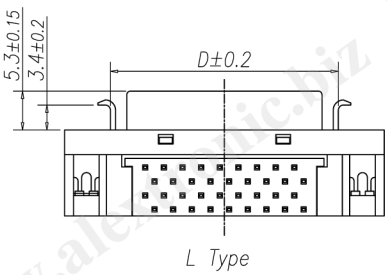
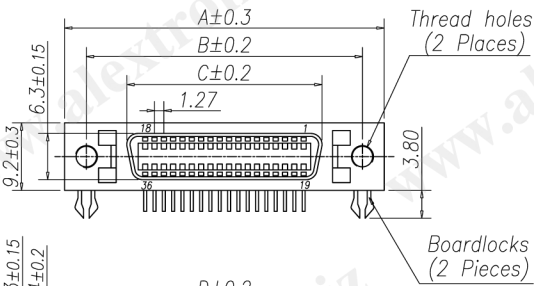
X	CONTACT FINISHES
3	5u" gold selective plating
5	15u" gold selective plating
7	30u" gold selective plating

BRACKET FINISHES:  
 L = latch bracket  
 S = screw bracket

CONTACT TYPE:  
 F=female

NO.OF CONTACT:  
 20, 36, 68, 100 pos

REV.	ECN NO	DESCRIPTION	REVISED	DATE
A1		New Release	Pengjie	2008.09.02



- MATERIALS:(RoHS Compliant)  
 Housing And Cover : Plastic thermoplastic, PBT UL94V-0 Black  
 Contacts : Phosphor bronze gold selective plated  
 Front Shell : Steel nickel plated over copper  
 Boardlock : Brass Tin plated over copper  
 Bracket : Steel nickel plated over copper
- ELECTRICAL CHARACTERISTICS  
 Contact Current Rating: 1 Amp  
 Dielectric Withstanding Voltage: 500V AC  
 Insulation Resistance: 500MΩ/Min  
 Contact Resistance: 35mΩ/Max  
 Operation Temperature: -55°C ~ +105°C

NO OF CONTACTS	A	B	C	D	E	F
20	33.40	27.40	16.44	20.83	27.45	11.43
36	43.54	37.61	26.60	31.05	37.61	21.59
40	46.15	40.15	29.14	33.70	40.15	24.13
68	64.00	57.92	46.92	51.32	57.60	41.91
100	84.18	78.23	67.10	71.64	78.10	62.23

**Product Drawing**  
**ALEXTRONIC**

UNLESS OTHERWISE SPECIFIED TOLERANCES	SCALE:free	UNIT: mm	DWG.NO:
	SIZE: A3	PAGE:1 OF 1	REV: A1
DECIMALS: X :±0.5 X.X :±0.3 X.XX :±0.2	ANGLES: X :±3° X.X :±1°	APPROVED BY	CHECKED BY
		WYX	Pengjie
			PREPARED BY
			Pengjie
<b>CUSTOMER COPY</b>			