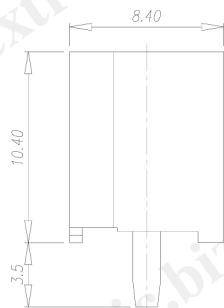
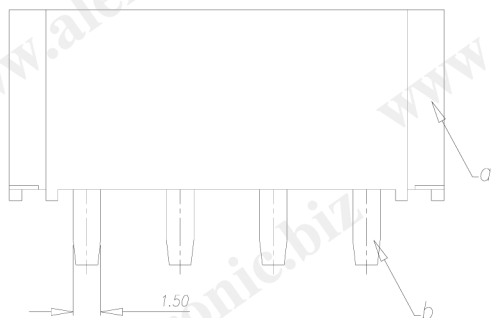
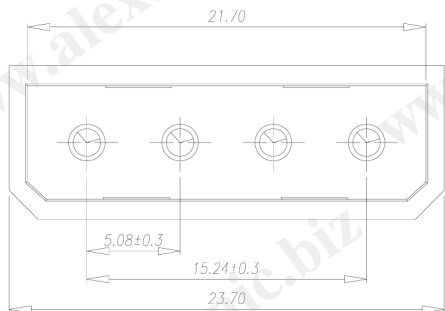


CATEGORY	DESCRIPTION	P/N #
CONNECTOR	大四P PH5.08 180度 環保料	WB960V-04060-0900

REV.	ECN NO	DESCRIPTION	REVISED	DATE
A01		New Release	GMC	2009.11.21

SPECIFICATION

- CURRENT RATING : 5 Amps
- DIELECTRIC WITHSTANDING : AC 1500V
- INSULATION RESISTANCE: 1000MΩ MIN.
- OPERATING TEMPERATURE : -40° C TO +105° C



Recommend PCB Layout
(Jack Top View)
Tolerance: ±0.05mm
Recommend PCB Thickness: 1.6mm

NO.	PART NAME	Q'TY	MATERIAL	PLATING & COLOR	Remark
b	Terminal	4	Brass	Tin Plating	
a	Housing	1	PA66 UL94V-0	White	

UNLESS OTHERWISE SPECIFIED TOLERANCES		SCALE: 1/1 UNIT: mm	⊕ ⊖	DWG.NO: WI-061-762
SIZE: A3 PAGE: 1 OF 1		REV: A01		
DECIMALS: X : ±0.5 X.X : ±0.3 X.XX : ±0.2	ANGLES: X : ±2° X.X : ±1°	APPROVED BY	CHECKED BY	PREPARED BY
		WYX	Pengjie	GMC
CUSTOMER COPY				