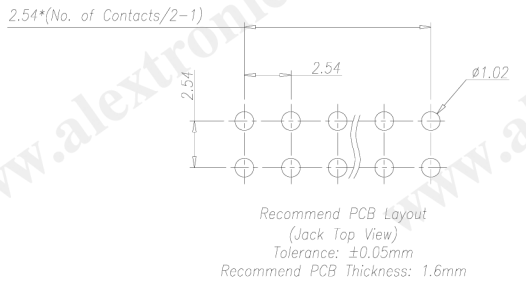
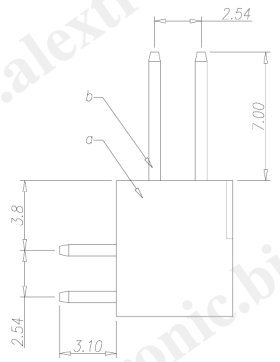
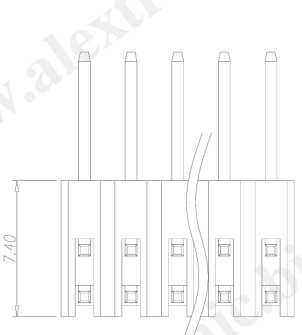
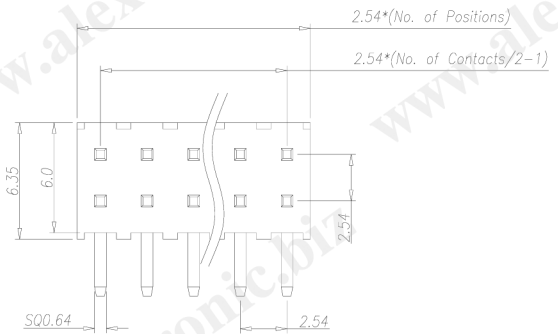


CATEGORY	DESCRIPTION	P/N #
CONNECTOR	2.54mm PIN HEADER, R/A, T/H	PHH30R-XX070-0091

REV.	ECN NO	DESCRIPTION	REVISED	DATE
A01		New Release	Luguan	2009.07.28

- SPECIFICATION
- CURRENT RATING : 3 Amp MAX.
 - DIELECTRIC WITHSTANDING VOLTAGE : AC 500V
 - INSULATION RESISTANCE: 1000MΩ MIN.
 - OPERATING TEMPERATURE : -40° C TO +105° C

PART NO.:
PHH30R-XX070-0091
Terminal Q'TY: 04~80



See PART NO.

NO.	PART NAME	Q'TY	MATERIAL	PLATING & COLOR	Remark
b	Terminal	XX	Brass, SQ0.64mm	Gold Flash Plating	
a	Housing	1	PA UL94V-0	Black	

UNLESS OTHERWISE SPECIFIED TOLERANCES		SCALE: 1/1	UNIT: mm	DWG. NO:
		SIZE: A3	PAGE: 1 OF 1	REV: A01
DECIMALS:		APPROVED BY		
X	:±0.5	CHECKED BY		
XX	:±0.3	PREPARED BY		
XXX	:±0.2	WYX		
ANGLES:		PENGJIE		
X	:±2°	LUGUAN		
XX	:±1°			
XXX	:±0.2			

Product Drawing
ALEXTRONIC

CUSTOMER COPY