

4

3

2

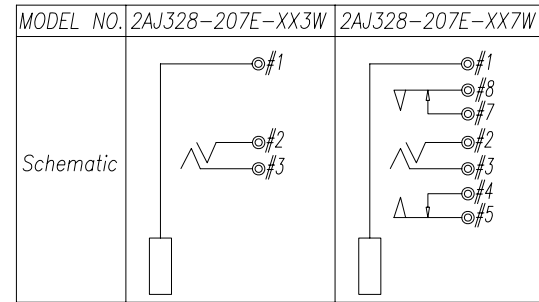
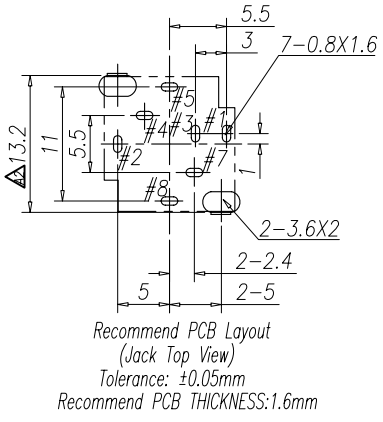
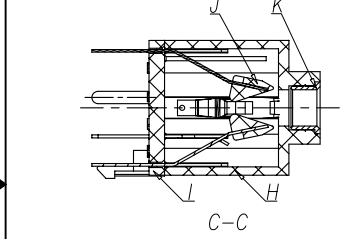
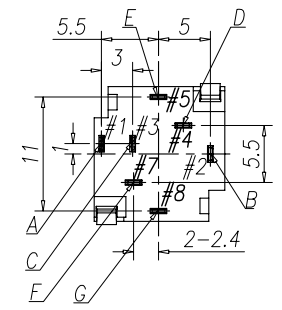
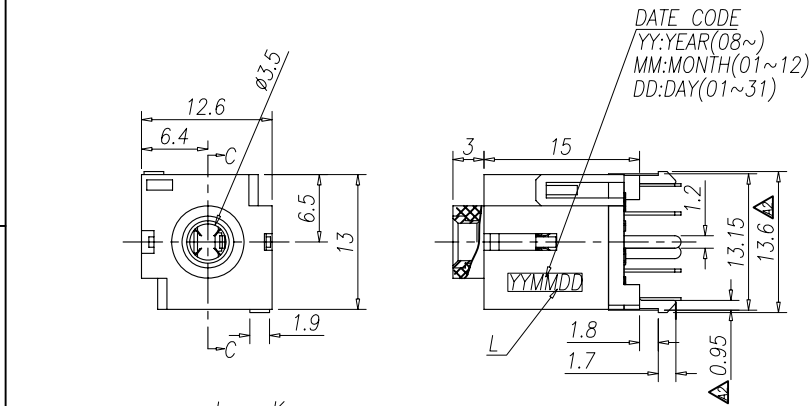
1

CATEGORY	DESCRIPTION	P/N #
CONNECTOR	Stereo Phone Jack, ID=3.5mm, Straight, T/H, With Switch Pins, Stand-off=15MM	2AJ328-207E-XXXW

2AJ328-207E-XXXW
表示PIN數
COLOR SCHEME

REV.	ECN NO	DESCRIPTION	REVISED	DATE
A2	ECN080502002	Modify Dimension: from 13.2±0.3 to 13.6±0.3	Pengjie	2008.05.02

- SPECIFICATION
- Voltage Rating: DC 30V MIN.
 - Current Rating: 1.0A MAX.
 - Contact resistance:
 - 3.1 Plug to Contacts: Initial 30mΩ MAX. After Durability Testing: 100mΩ MAX.
 - 3.2 Plug to Shunt: Initial 30mΩ MAX. After Durability Testing: 60mΩ MAX.
 - Insulation resistance: 100MΩ MIN. (DC500V)
 - Operation Temperature: -40° C~70° C
 - Withstand Voltage: 500VAC
 - Insertion force: 3kgf MAX.
 - Extraction force: 0.3kgf MIN
 - life testing: 3,000 cycles
 - To conform with the "QC-03-045" & "RoHS DIRECTIVE"
 - Solder heat resistance: wave soldering 260° 5 Secs



L	Ink	1	Domino IR-270BK & MC-270BK	Black	
K	Metal ring	1	Brass	Ni Plating	
J	Insulator	2	PA66 UL94V-0	White	
I	Cover board	1	PBT UL94V-0	Black	
H	Housing	1	PBT UL94V-0	See Color Scheme	
G	Terminal #8	1	Phosphor Brozen, T=0.25mm	Ag Plating	
F	Terminal #7	1	Phosphor Brozen, T=0.3mm	Ag Plating	
E	Terminal #5	1	Phosphor Brozen, T=0.25mm	Ag Plating	
D	Terminal #4	1	Phosphor Brozen, T=0.3mm	Ag Plating	
C	Terminal #3	1	Phosphor Brozen, T=0.25mm	Ag Plating	
B	Terminal #2	1	Phosphor Brozen, T=0.35mm	Ag Plating	
A	Terminal #1	1	Phosphor Brozen, T=0.25mm	Ag Plating	
NO.	PART NAME	Q'TY	MATERIAL	PLATING & COLOR	REMARK

COLOR SCHEME

XX	Housing
00	Black
15	LIME (#577C)

Product Drawing
ALEXTRONIC

UNLESS OTHERWISE SPECIFIED TOLERANCES

SCALE: 2/1 UNIT: mm

SIZE: A3 PAGE: 1 OF 1 REV: A2 DWG.NO: WI-061-109

APPROVED BY: GG CHECKED BY: WYX PREPARED BY: Pengjie

CUSTOMER COPY

4

3

2

1