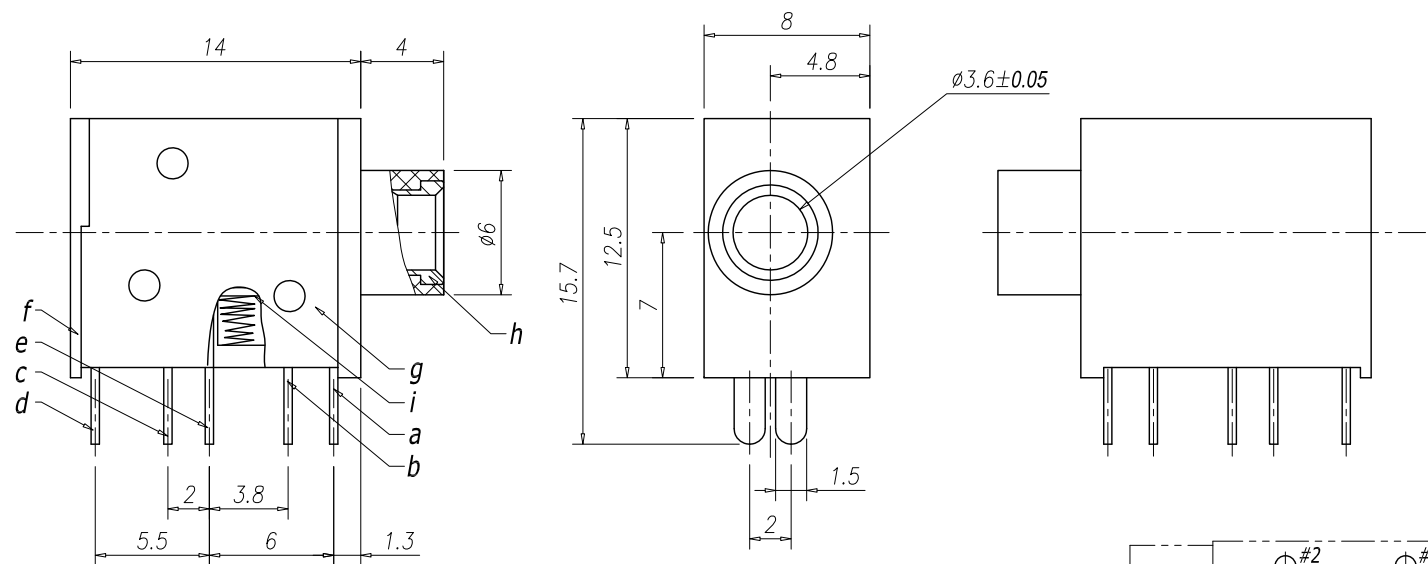


CATEGORY	DESCRIPTION	P/N #
CONNECTOR	3.5 PHONE JACK, R/A, T/H	AJ311B-10X60-XXX0

料號由AJ311B-10160-XXX0
變更為AJ311B-10X60-XXX0

REV.	ECN NO	DESCRIPTION	REVISED	DATE
A1		New Release	Luguan	2009.03.09
A2		新增規格,變更料號	Luguan	2009.04.09

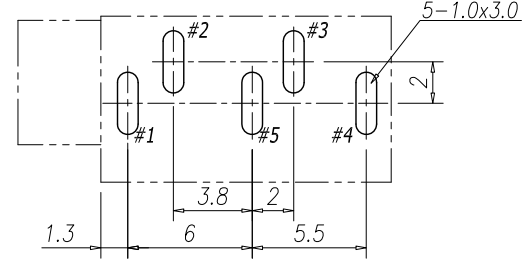
- SPECIFICATION**
1. Voltage Rating: DC 30V Min.
 2. Current Rating: 1.0A Max.
 3. Contact resistance: 30mΩ Max.
 4. Insulation resistance: 100MΩ Min. (DC250V)
 5. Operation Temperature: -25°C~70°C
 6. Withstand Voltage: AC500V
 7. Insertion force: 3kgf Max.
 8. Extraction force: 0.3kgf Min.
 9. life testing: 3,000 cycles
 10. To conform with the "QC-03-045" & "RoHS DIRECTIVE"
 11. Solder heat resistance: wave soldering 260°C 5 seconds



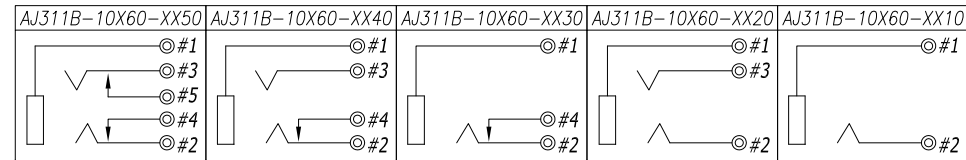
PART NO.: AJ311B-10X60-XXX0

See Schematic
See Color Scheme

X	Metal Ring
0	Without
1	With



Recommend PCB Layout
(Jack Top View)
Tolerance: ±0.05mm
Recommend PCB Thickness: 1.6mm



Schematic

Color Scheme

XX	Housing	Cover
00	Black	Black
06	Blue	Blue
12	PINK(#701C)	PINK(#701C)
15	LIME (#577C)	LIME (#577C)

i	Spring	2	Mn65	Ni Plating	
h	Metal ring	1	Brass	Ni Plating	
g	Cover	1	PBT UL94V-0	See Color Scheme	
f	Housing	1	PBT UL94V-0	See Color Scheme	
e	Terminal #5	1	Brass, T=0.3mm	Ag Plating	
d	Terminal #4	1	Brass, T=0.3mm	Ag Plating	
c	Terminal #3	1	Phosphor Broze, T=0.3mm	Ag Plating	
b	Terminal #2	1	Phosphor Broze, T=0.3mm	Ag Plating	
a	Terminal #1	1	Brass, T=0.3mm	Ag Plating	

UNLESS OTHERWISE
SPECIFIED TOLERANCES

DECIMALS: X :±0.5 X.X :±0.3 X.XX :±0.2
ANGLES: X :±2° X.X :±1°

Product Drawing		
ALEXTRONIC		
SCALE: free	UNIT: mm	DWG.NO:
SIZE: A3	PAGE: 1 OF 1	REV: A2
APPROVED BY	CHECKED BY	PREPARED BY
WYX	Pengjie	Luguan

CUSTOMER COPY

D

C

B

A

D

C

B

A