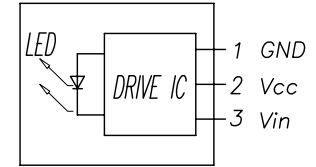
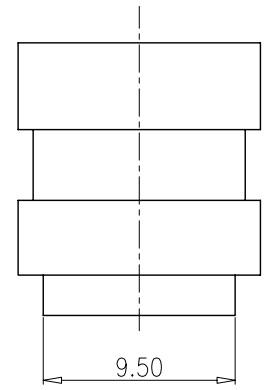


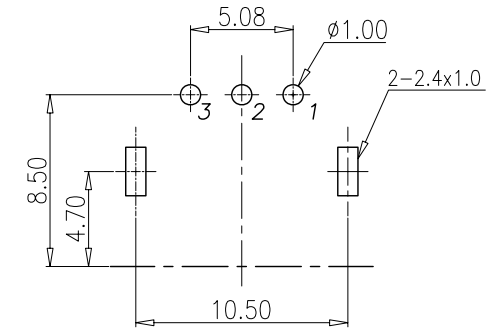
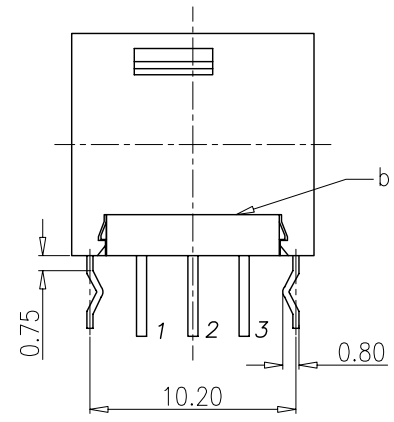
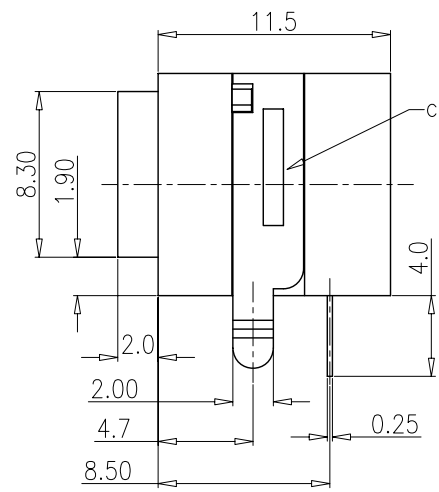
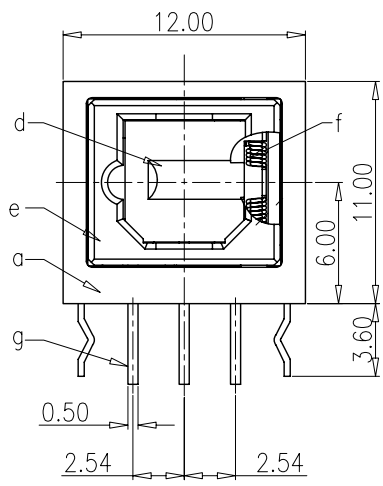
CATEGORY	DESCRIPTION	P/N #
CONNECTOR	Toslink Jack, 1x1 Port, R/A, DIP	TL226R-11170-000T

REV.	ECN NO	DESCRIPTION	REVISED	DATE
R01		NEW RELEASE	XSY	2010.04.17



SPECIFICATION

1. Voltage Rating: $V_{cc}=0.5\sim 7V$, $V_{in}=-0.5\sim 7.5V$
2. Current Rating: 25mA
3. Insertion Force: 2.5Kgf Max.
4. Extraction Force: 0.5Kgf Min.
5. Life test: 1,500 cycles
6. Temperature Range: $-20^{\circ}C\sim 70^{\circ}C$
7. Solder heat resistance: wave soldering $260^{\circ}C$ 5 seconds



RECOMMEND PCB LAYOUT
(TOP VIEW)(TOLERANCE:±0.05)
PCB THICKNESS T=1.60mm

g	ODL	1	16Mbps		
f	Spring	1	SUS		
e	Frame	1	PBT UL94V-0	Black	
d	Gate	1	PBT UL94V-0	Black	
c	Shell	1	Brass T=0.3mm	CuSn	
b	Cover	1	PBT UL94V-0	Black	
a	Housing	1	PBT UL94V-0	Black	
NO.	PART NAME	Q'TY	MATERIAL	PLATING & COLOR	Remark

UNLESS OTHERWISE SPECIFIED TOLERANCES
DECIMALS: X :±0.5 X.X :±0.3 X.XX :±0.2
ANGLES: X :±2° X.X :±1°

Product Drawing		
ALEXTRONIC		
SCALE:1/1	UNIT: mm	DWG.NO: WI-061-865
SIZE: A3	PAGE:1 OF 1	REV:R01
APPROVED BY	CHECKED BY	PREPARED BY
XZQ	GMC	XSY
CUSTOMER COPY		